

<b>Project</b>		<b>Catalog #</b>		<b>Type</b>	
<b>Prepared by</b>		<b>Notes</b>		<b>Date</b>	



## 0-10V to 3 Stage Contact Interface

P/N: PNL-GTWY-010V-3STGCC-120V-NEMA1

### Product Overview

The Nuvospec 0-10V to 3-Stage Relay Interface enables control of motorized shade systems using a standard 0-10V analog dimming signal. Housed in a rugged steel enclosure, the unit translates voltage levels into staged contact closure outputs for triggering Raise, Lower, and Stop functions.

Ideal for integration with lighting control systems that already provide 0-10V outputs, this plug-and-play interface eliminates the need for complex programming or custom logic modules. Just connect AC power, 0-10V control wire, and shade inputs—and you're ready to go.

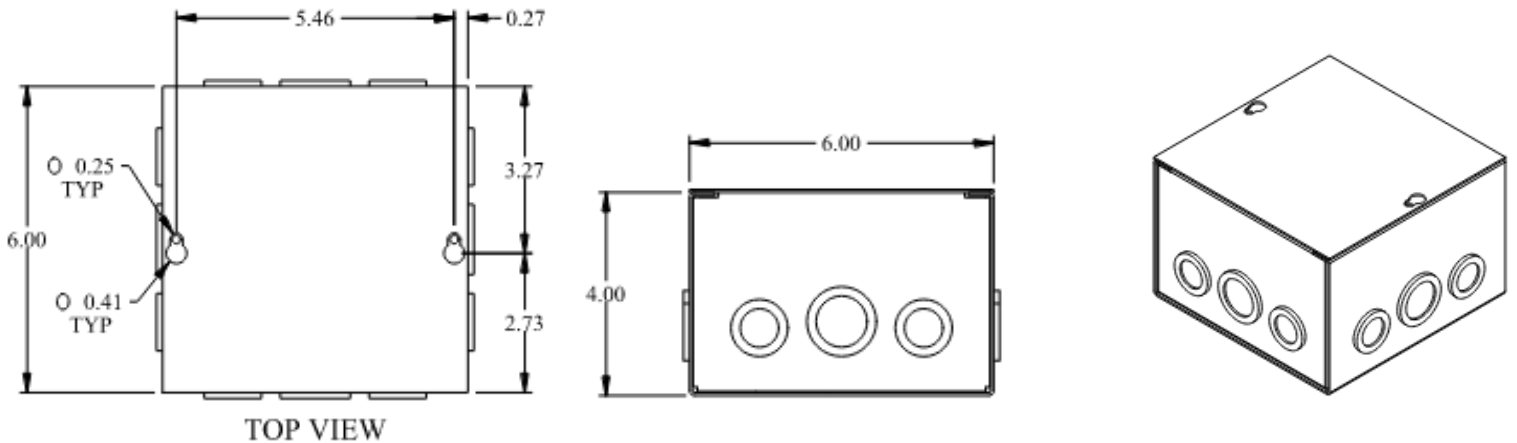
### Product Features

- Converts 0-10V Analog to Binary Relay Logic – Maps voltage levels to three-stage dry contact closures for Raise, Lower, and Stop control.
- Pre-programmed Logic Engine – No software or external controller required—relay staging is built-in.
- DIN-Rail Mounted Components – Includes logic module and 24VDC power supply secured inside enclosure.
- Compact Metal Enclosure – 6x6x4 Inch NEMA 1 steel box with knockouts and screw cover.
- Contractor-Friendly Termination – Terminal blocks provided for AC line in, 0-10V control, and output relay contacts.
- UL Listed for electrical code compliance.

## Specifications

- Input Signal: 0–10VDC analog (sink or source, 100kΩ input impedance)
- Power Supply: 120VAC input to 24VDC output, 10W Class 2
- Outputs: 3x SPDT dry contact relays (Raise, Stop, Lower)
- Relay Ratings: 2A at 24VDC / 0.5A at 120VAC resistive
- Enclosure: 6H x 6W x 4D in. steel box with screw cover and surface mount holes
- Operating Temp: -4°F to +122°F (-20°C to +50°C)
- Compliance: UL listed

## Dimensional Details



## System Diagram

